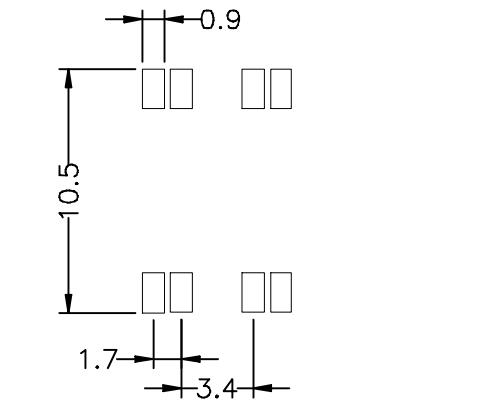
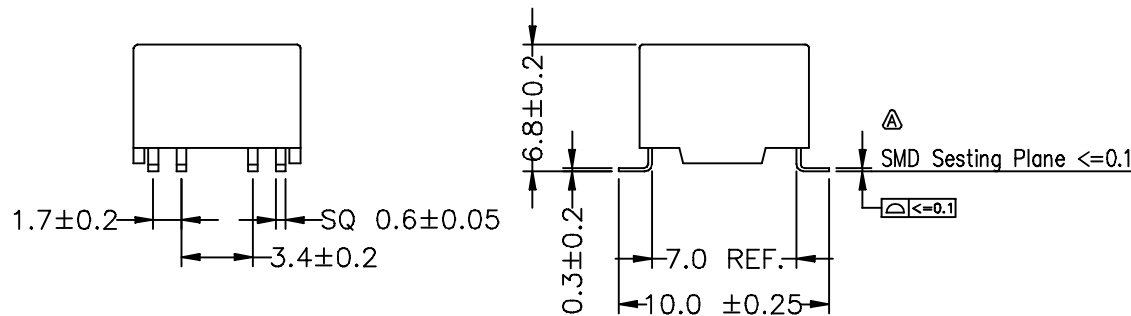


ELECTRICAL CHARACTERISTICS :

1. DCR : PIN 1-2 = 180mΩ MAX. PIN 3-4 = 180mΩ MAX.  
PIN 5-6 = 160mΩ MAX. PIN 7-8 = 320mΩ MAX.
2. INDUCTANCE (@10KHz, 100mVrms) :  
PIN 1-4 (PIN 2-3 SHORT) = 45uH MIN.
3. LEAKAGE INDUCTANCE (@200KHz, 0.1Vrms) :  
PIN 1-4 (PIN 2.3 SHORT, PIN 5.6.7.8 SHORT) = 250nH MAX.
4. INTERWINDING CAPACITANCE (@10KHz, 0.1Vrms) :  
PIN 1-8 (PIN 2-3, PIN 6-7 SHORT) = 8.0pF MAX.
5. TURN RATIO (@100KHz, 0.1Vrms)  
PIN 1-4 (PIN 2-3 SHORT) : 6-5 = 1.5 ±2%  
PIN 1-4 (PIN 2-3 SHORT) : 8-7 = 1 ±2%
6. HI-POT : (@3750VAC, 5mA, 1SEC) :  
PIN 1 (PIN 2-3 SHORT) - PIN 8 (PIN 6-7 SHORT)
7. PRIMARY TO SECONDARY CLEARANCE 4.5mm MIN.  
PRIMARY TO SECONDARY CREEPAGE 5.1mm MIN.
8. RoHS COMPLIANT



SUGGESTED PCB LAYOUT

△ Remark:

1. Weight : 0.9g
2. MADE IN YICHANG HUBEI

UNIT:mm

							TITLE TRANSFORMER	
							DWG. NO. PL-038R-GF	
RELEASE					UNITS:		SAFETY	
NO: DESCRIPTION					DATE		P/N:	
DATE					BY		DRAW	
CHK					APPD		SHEET 1 of 1	
REVISIONS							DRAW	